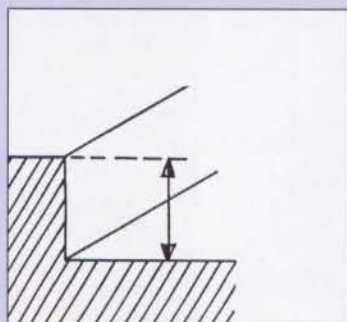
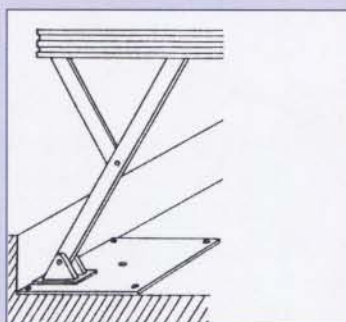


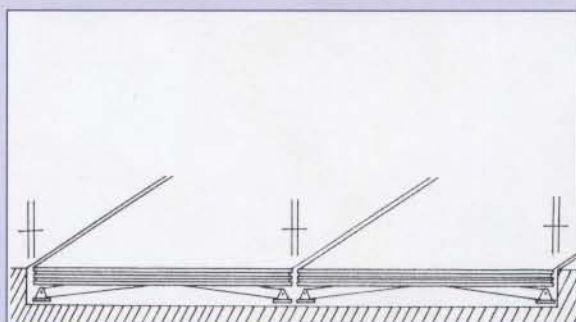
## Alu Top = Integral-M with modifications for the stationary instalment



On site a pit for instalment is necessary.



Levelled steel-plates are sewed into the ground so that the Alu-Top platforms have an absolutely even standing.



The distance between the platforms is 5 mm, so a perfect up and down is guaranteed (the platforms should not touch each other during adjustment).



### Technical Details

- Size : 200 x 100 cm (other measures possible)
- Height-Adjustment : 16 2/3 cm or 20 cm steps (max. height depending on platform-size and pit-depth)
- Supposition on site: Pit with max. depth 20 - min. 17 cm
- Peculiarity : With the help of 4 special pneumatic springs the platform can be adjusted in different heights by minimum power.