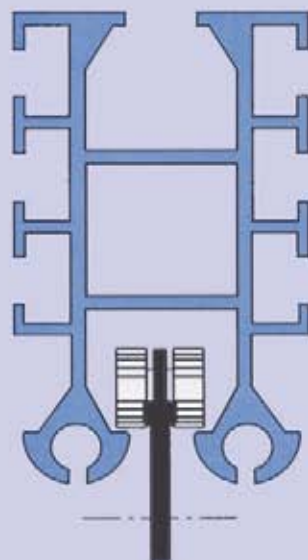
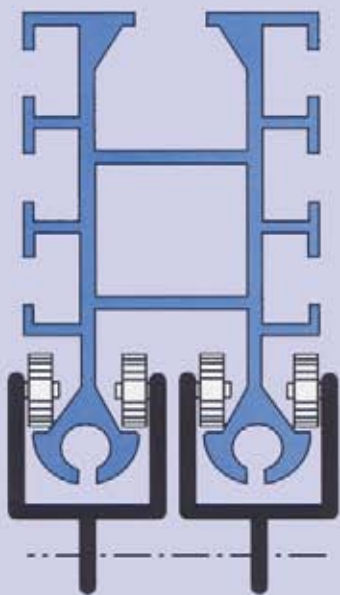


Combi-Rail (Standard + Junior)

COMBI Rail

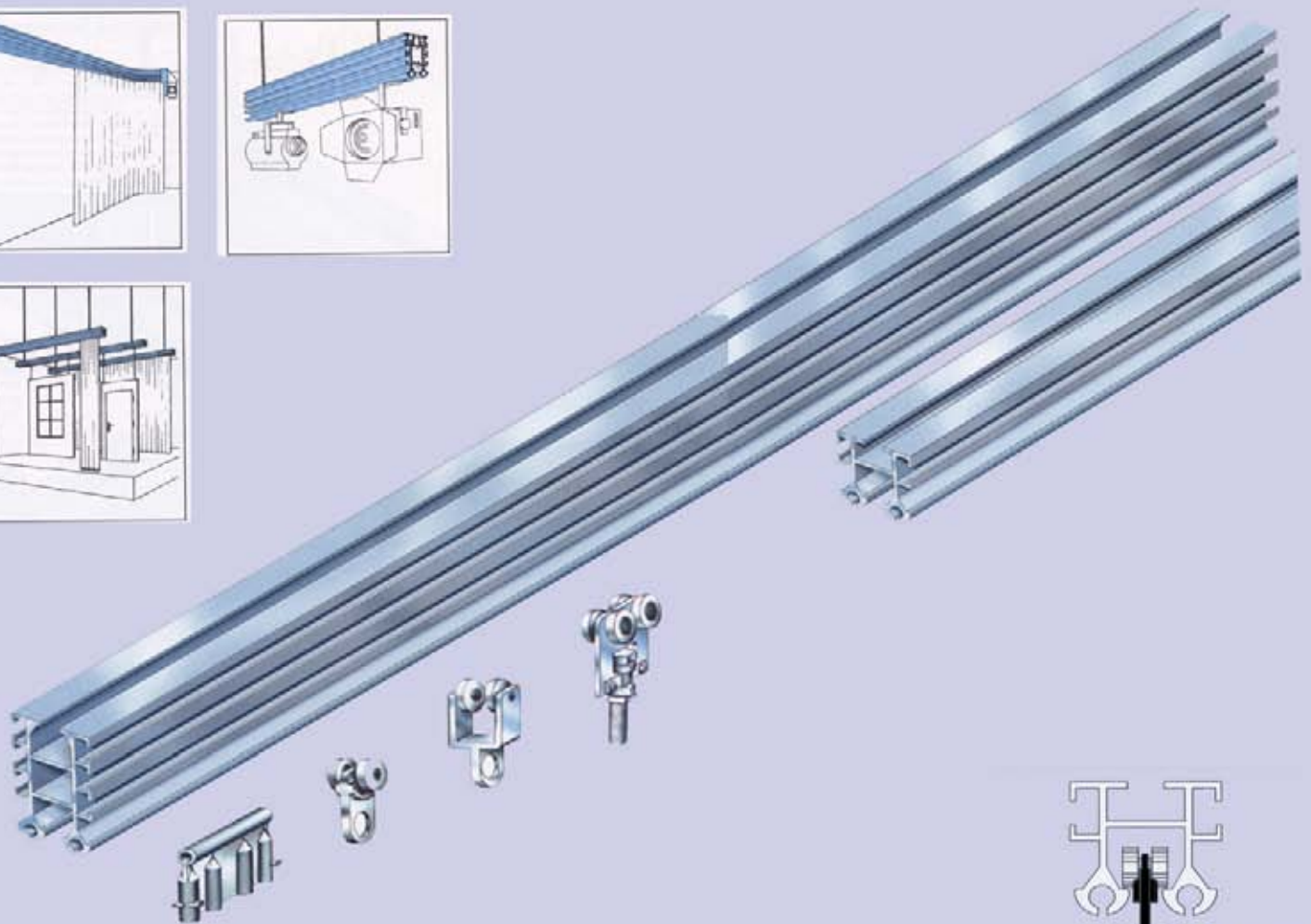
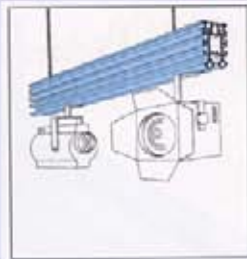
for Theatres - Studios - Events



The COMBI-Rail - with its 2-lines/nuts - is for all kinds of events useful. The COMBI-Rail enables the mounting of curtains, lights, decorations, sliding-walls...

The system can be used as 1-line or 2-line-system. The integrated rope-channels could also be used with curved rails, switch points...

Rail in standard: aluminium nature (could be coated - anodized -, if wished).

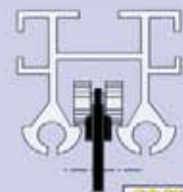


By mounting an additional electricity line the COMBI-Rail could be used for lights, floodlights...

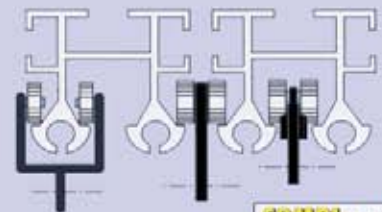
The 2 lines of the COMBI-Rail allow the effective move of 2 curtains.

Lights can be mounted with special fixation (a moving of this lights is easily possible).

The COMBI-Rail could be motorised (in all lengths and also curved).



COMBIJUNIOR



COMBIJUNIOR

The COMBI-Junior-Rail could also be used as 1-line or 2-line-system. By mounting one rail next to the other additional channels could be built so that there are additional possibilities for mounting slide-walls, curtains...

COMBI Rail

permitted load for a caving in of L/200

Rail-Span L	(m)	2	2,5	3	3,5	4	4,5	5	5,5	6	7	8
Max. Point-Load F	(N)	9643	6135	4222	3063	2305	1781	1402	1117	897	581	365
Max. Line-Load q	(N/m)	7712	3926	2252	1400	922	634	449	325	240	133	73
Deflexion f	(mm)	10	12,5	15	17,5	20	22,5	25	27,5	30	35	40

Valid by using as a rail on 2 beams.